

LEGEND

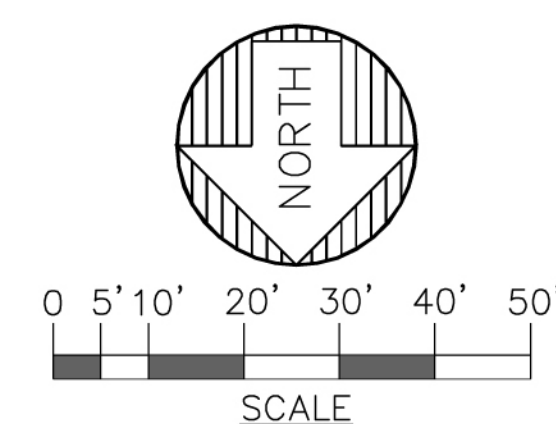
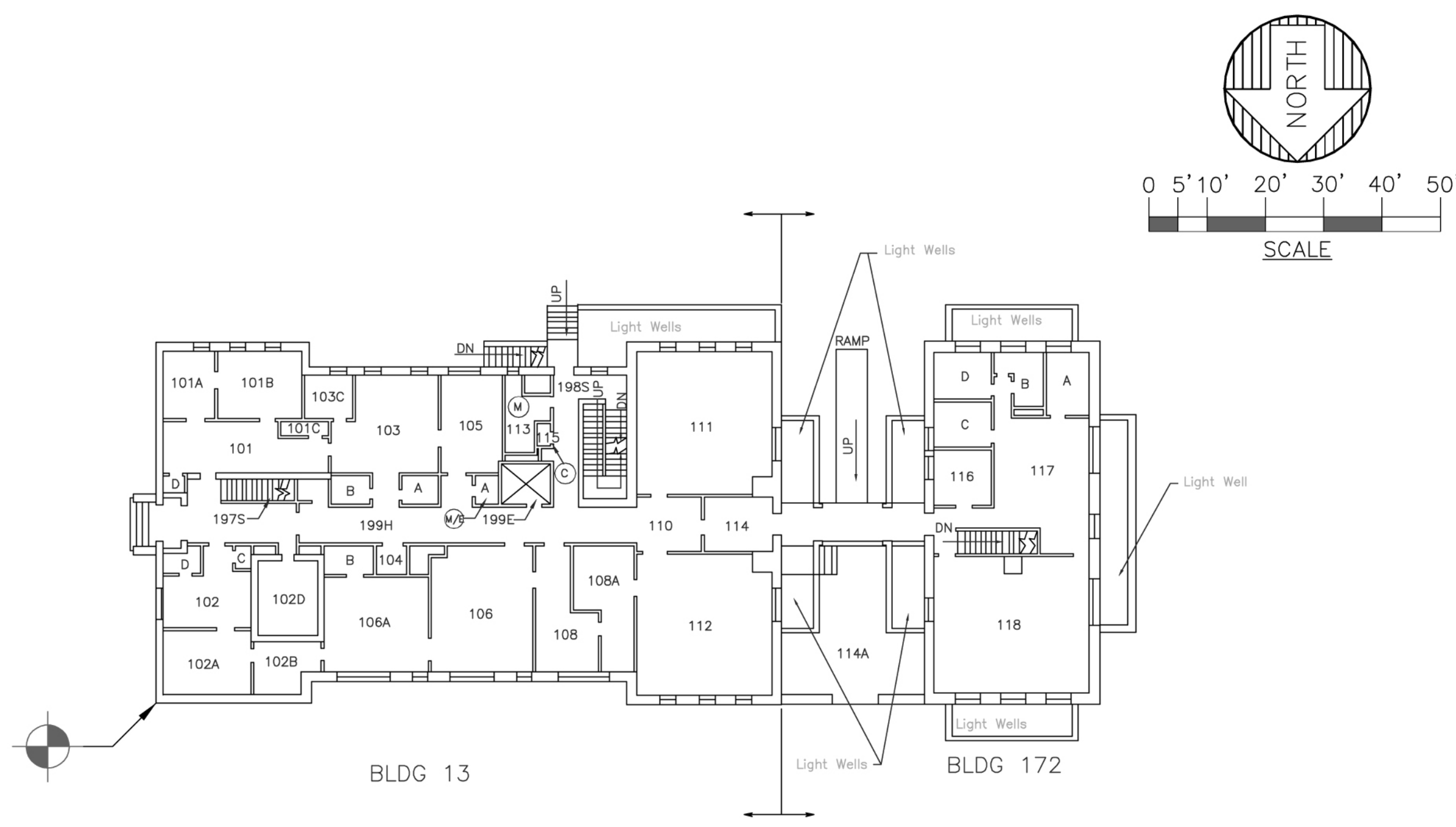
- (M) MEN'S RESTROOM
- (W) WOMEN'S RESTROOM
- (U) UNISEX RESTROOM
- (C) CUSTODIAL AREA
- (M/E) MECHANICAL AND/OR ELECTRICAL EQUIPMENT AREAS
- (T) TELEPHONE EQUIPMENT AREA
- (S) STORAGE AREA

DRAWING DATE: SEPT. 30 1957		BY
DATE	REVISION DESCRIPTION	R. ADAMS
7/31/97	DRAWN	N. BUTTON
7-18-01	REVISED WALLS & SOFT	

BUILDING NAME: NEWELL HALL AND SPECTROGRAPHIC LAB		BUILDING GSF: 30,330
DRAWING TITLE: GROUND FLOOR		FLOOR GSF: 9,351
BUILDING NUMBER: 0013	FLORIDA STATE PLANE COORDINATES REFERENCE POINT	E: 2653044 N: 242558
BUILDING NUMBER: 0172	GRID AREA: 3D3	FILENAME: 0013-G.DWG

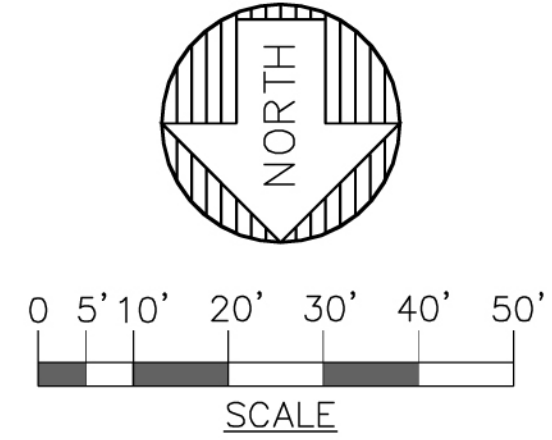
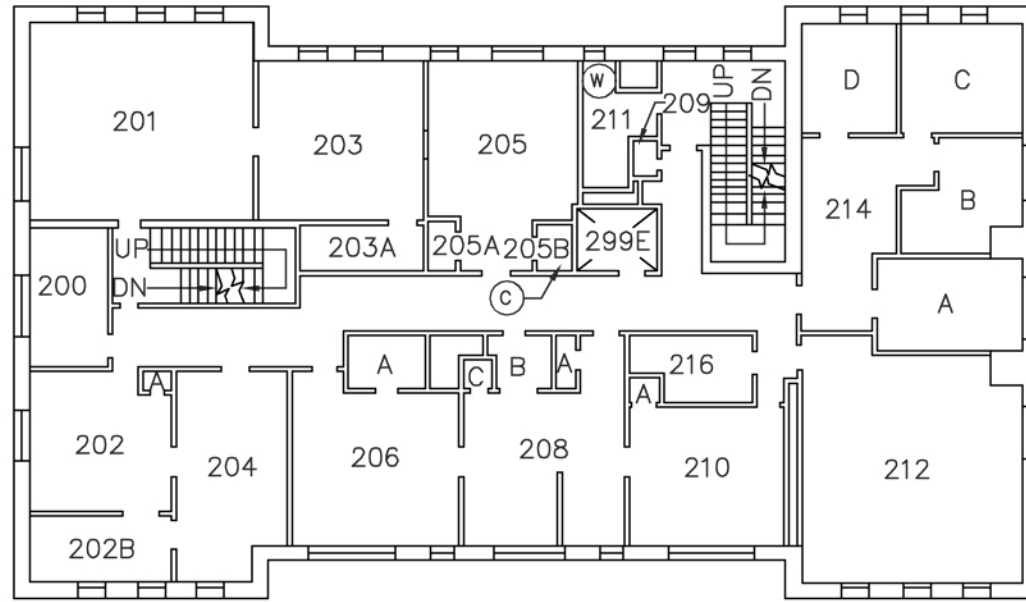
UNIVERSITY OF
FLORIDA
PHYSICAL PLANT DIVISION
ARCHITECTURE/ENGINEERING





- LEGEND**
- (M) MEN'S RESTROOM
 - (W) WOMEN'S RESTROOM
 - (U) UNISEX RESTROOM
 - (C) CUSTODIAL AREA
 - (M/E) MECHANICAL AND/OR ELECTRICAL EQUIPMENT AREAS
 - (T) TELEPHONE EQUIPMENT AREA
 - (S) STORAGE AREA

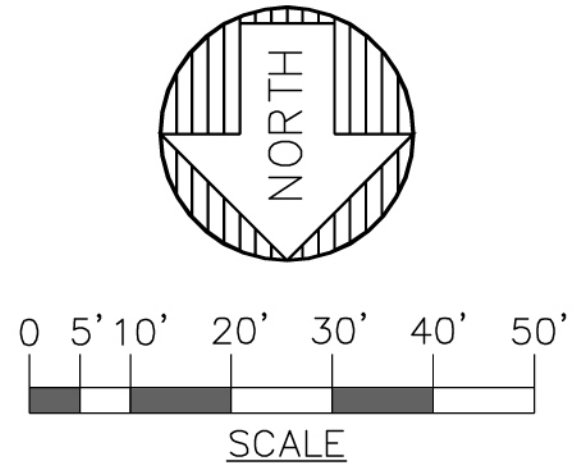
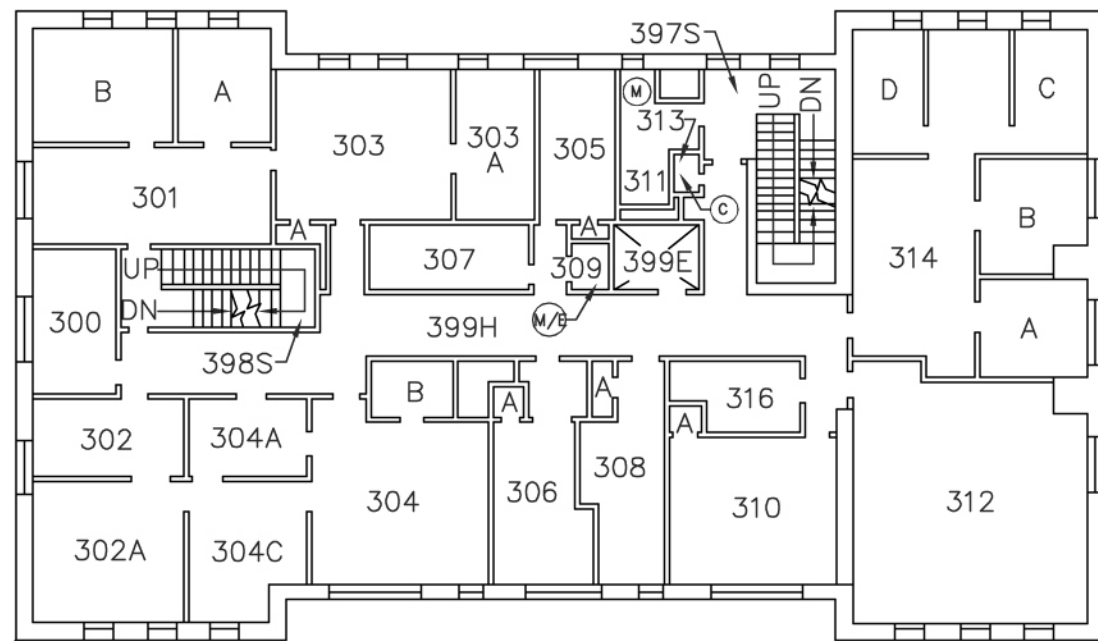
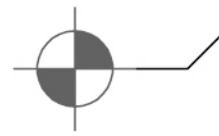
DRAWING DATE: SEPTEMBER 30, 1957		BY: R. ADAMS	
DATE: 7/31/97	REVISION DESCRIPTION: ORIGINAL	N. BUTTON	
8-19-01	REVISED WALLS & SQFT	N. BUTTON	
7-18-01	REVISED ROOM #101C	N. BUTTON	
BUILDING NAME: NEWELL HALL AND SPECTROGRAPHIC LAB		BUILDING GSF: 30,330	
DRAWING TITLE: FIRST FLOOR PLAN		FLOOR GSF: 9,351	
BUILDING NUMBER: 0013		FLORIDA STATE PLANE COORDINATES REFERENCE POINT N: 242558	FILENAME: 0013-1.DWG
0172		E: 2653044	0172-1.DWG
		GRID AREA: 3D3	
UNIVERSITY OF FLORIDA PHYSICAL PLANT DIVISION ARCHITECTURE/ENGINEERING			
SHEET 2 OF 6			



LEGEND

- (M) MEN'S RESTROOM
- (W) WOMEN'S RESTROOM
- (U) UNISEX RESTROOM
- (C) CUSTODIAL AREA
- (M/E) MECHANICAL AND/OR ELECTRICAL EQUIPMENT AREAS
- (T) TELEPHONE EQUIPMENT AREA
- (S) STORAGE AREA

BUILDING NAME: NEWELL HALL DRAWING TITLE: SECOND FLOOR PLAN BUILDING NUMBER: 0013 BUILDING GSF: 30,330 FLOOR GSF: 6,236 FLORIDA STATE PLANE COORDINATES REFERENCE POINT E: 2653044 N: 242558 GRID AREA: 3D3 FILENAME: 0013-2.DWG		DRAWING DATE: 07-29-97	REVISION DESCRIPTION ORIGINAL CORRECTED ROOM NUMBERS REVISED WALLS & SOFT	BY R. ADAMS R. ADAMS N. BUTTON N. BUTTON N. BUTTON
		DATE 7/29/97 9/30/99 6-15-01 7-12-01 7-16-01	REVISION DESCRIPTION CORRECTED ROOM NUMBERS REVISED ROOMS #203,205,209, 214 & SERIES REVISED ROOMS #204,206 & 208	BY R. ADAMS R. ADAMS N. BUTTON N. BUTTON N. BUTTON
UNIVERSITY OF FLORIDA PHYSICAL PLANT DIVISION ARCHITECTURE/ENGINEERING		SHEET 3 OF 6		



LEGEND

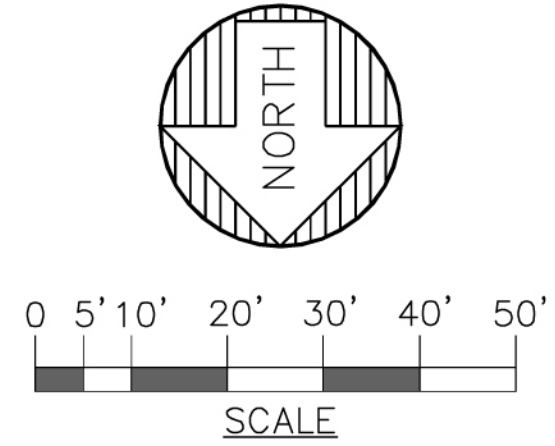
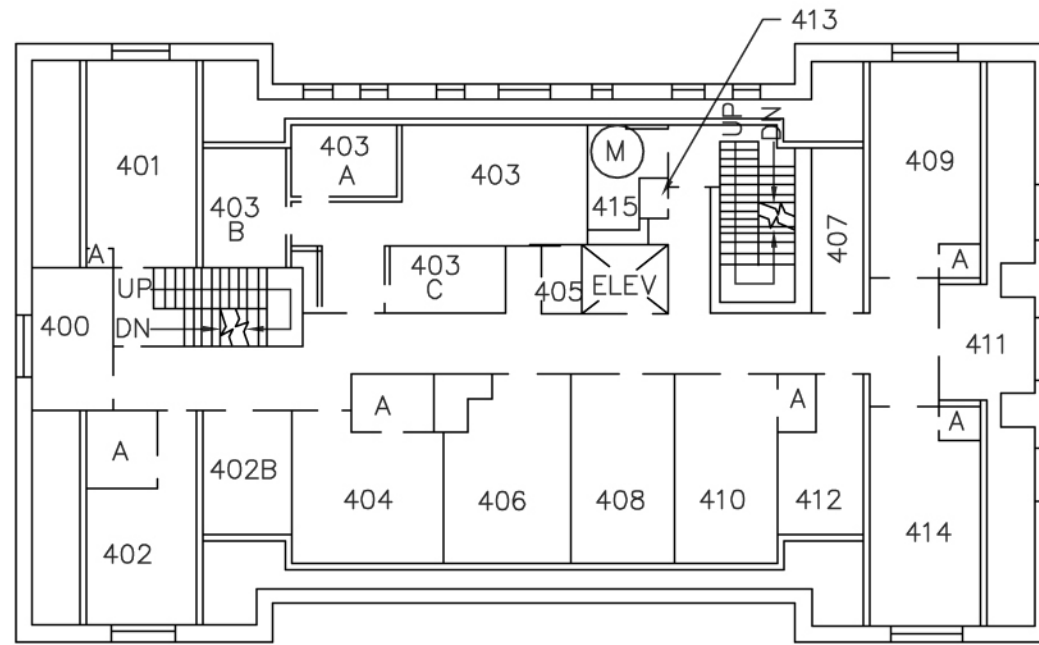
- (M) MEN'S RESTROOM
- (W) WOMEN'S RESTROOM
- (U) UNISEX RESTROOM
- (C) CUSTODIAL AREA
- (M/E) MECHANICAL AND/OR ELECTRICAL EQUIPMENT AREAS
- (T) TELEPHONE EQUIPMENT AREA
- (S) STORAGE AREA

DRAWING DATE: 07-29-97	
DATE	REVISION DESCRIPTION
7/29/97	ORIGINAL
7-23-01	REVISED WALLS & SOFT
BY	
	R. ADAMS
	N. BUTTON

BUILDING NAME:	NEWELL HALL
DRAWING TITLE:	THIRD FLOOR PLAN
BUILDING NUMBER:	0013
BUILDING GSF:	30,330
FLOOR GSF:	6,236
FLORIDA STATE PLANE COORDINATES REFERENCE POINT	
E: 2653044	N: 242558
GRID AREA	757
FILENAME:	0013 3 DWG

UNIVERSITY OF
FLORIDA
PHYSICAL PLANT DIVISION
ARCHITECTURE/ENGINEERING

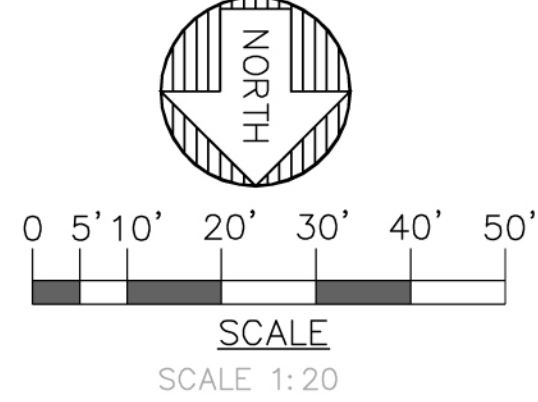
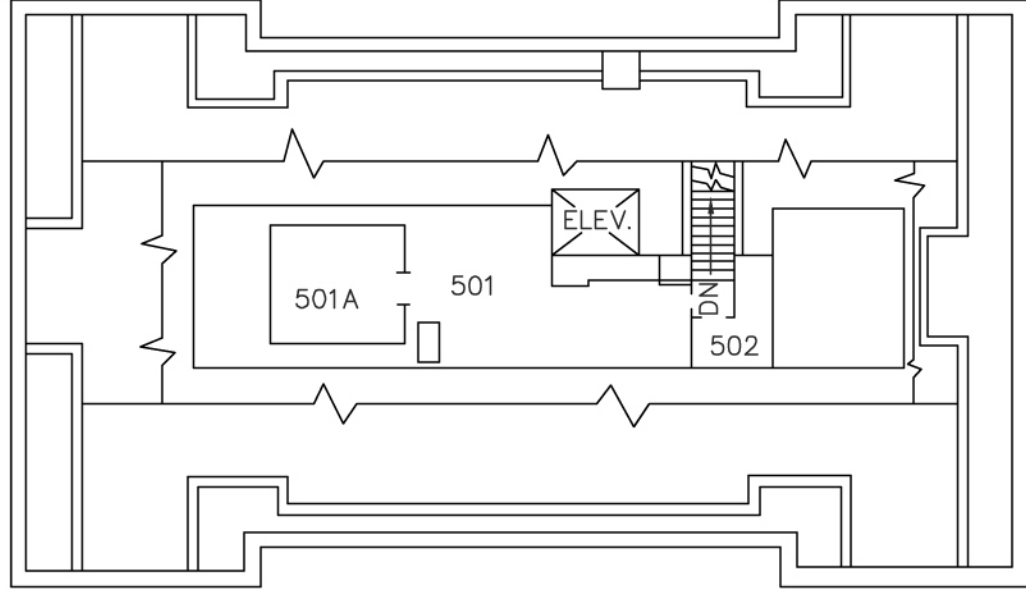
SHEET 4 OF 6



LEGEND

- (M) MEN'S RESTROOM
- (W) WOMEN'S RESTROOM
- (U) UNISEX RESTROOM
- (C) CUSTODIAL AREA
- (M/E) MECHANICAL AND/OR ELECTRICAL EQUIPMENT AREAS
- (T) TELEPHONE EQUIPMENT AREA
- (S) STORAGE AREA

DRAWING DATE: SEPTEMBER 30, 1957		BY: R. ADAMS	
DATE	7/29/87	REVISION DESCRIPTION	ORIGINAL
BUILDING NAME: NEWELL HALL		DRAWING TITLE: FOURTH FLOOR PLAN	
BUILDING NUMBER: 0013		FLORIDA STATE PLANE COORDINATES REFERENCE POINT E: 2653044 N: 242558	BUILDING GSF: 30,330 FLOOR GSF: 6,235
UNIVERSITY OF FLORIDA PHYSICAL PLANT DIVISION ARCHITECTURE/ENGINEERING		GRID AREA: 3D3	FILENAME: 0013-4.DWG
SHEET 5 OF 6			



LEGEND

- (M) MEN'S RESTROOM
- (W) WOMEN'S RESTROOM
- (U) UNISEX RESTROOM
- (C) CUSTODIAL AREA
- (M/E) MECHANICAL AND/OR ELECTRICAL EQUIPMENT AREAS
- (T) TELEPHONE EQUIPMENT AREA
- (S) STORAGE AREA

BUILDING NAME: NEWELL HALL DRAWING TITLE: FIFTH FLOOR PLAN BUILDING NUMBER: 0013 BUILDING GSF: 30,330 FLOOR GSF: 1,047 FLORIDA STATE PLANE COORDINATES REFERENCE POINT E: 2653044 N: 242558 GRID AREA: 3D3 FILENAME: 0013-5.DWG		DRAWING DATE: SEPTEMBER 30, 1959	REVISION DESCRIPTION ORIGINAL	BY R. ADAMS
		DATE 7/30/97		
UNIVERSITY OF FLORIDA PHYSICAL PLANT DIVISION ARCHITECTURE/ENGINEERING		SHEET 6 OF 6		

